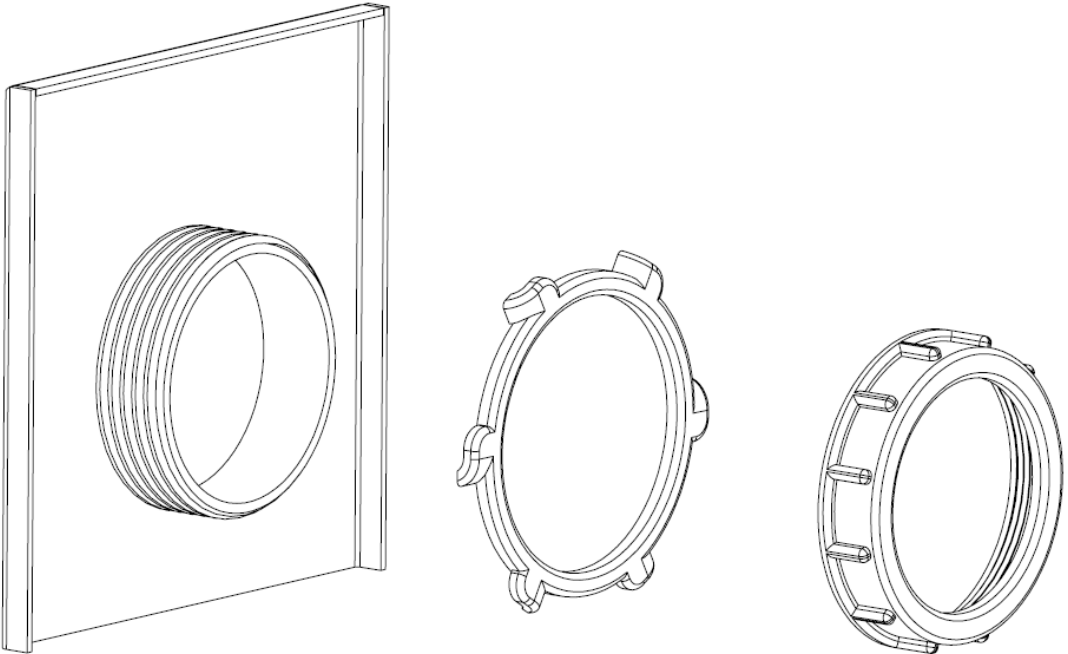



Product Code SDS-UNI-PLG	Nominal Dimensions N/A	
Description <p>The 2" Hole Plug securely covers the factory hole in the Universal Connector (SDS-CT-UNI) when the hole is unused during installations. Typical installations would use the SDS-CT-INF-ST or SDS-CT-INF-90 to fill the hole.</p>		
Specifications <ul style="list-style-type: none"> • 16-gauge electro-galvanized steel • Includes one (1) – 2" conduit bushing • Includes one (1) – 2" conduit lock nut • Weight 0.65 lbs Powder Coat Finish: White Textured		

	Holocom, Inc. www.holocom.com customerservice@holocom.com	PRODUCT CODE: SDS-UNI-PLG	TITLE: UNIVERSAL CONNECTOR 2" HOLE PLUG
		All material contained in this document is the property of Holocom, Inc. and may not be reproduced or transmitted (including electronically) without the written consent of Holocom, Inc. Holocom and the Holocom logo are registered trademarks of Holocom, Inc. Other noted marks are trademarks of their respective companies. Holocom products protected by US Pats. 8,733,798; 7,661,375; 7,608,780; 7,183,488; 7,115,814; 7,053,303; 7,049,517; 6,838,616; 5,831,211; 632,763; 619,097; 580,871 and patents pending. Made in the U.S.A. Copyright © 2015 Holocom, Inc. All rights reserved.	