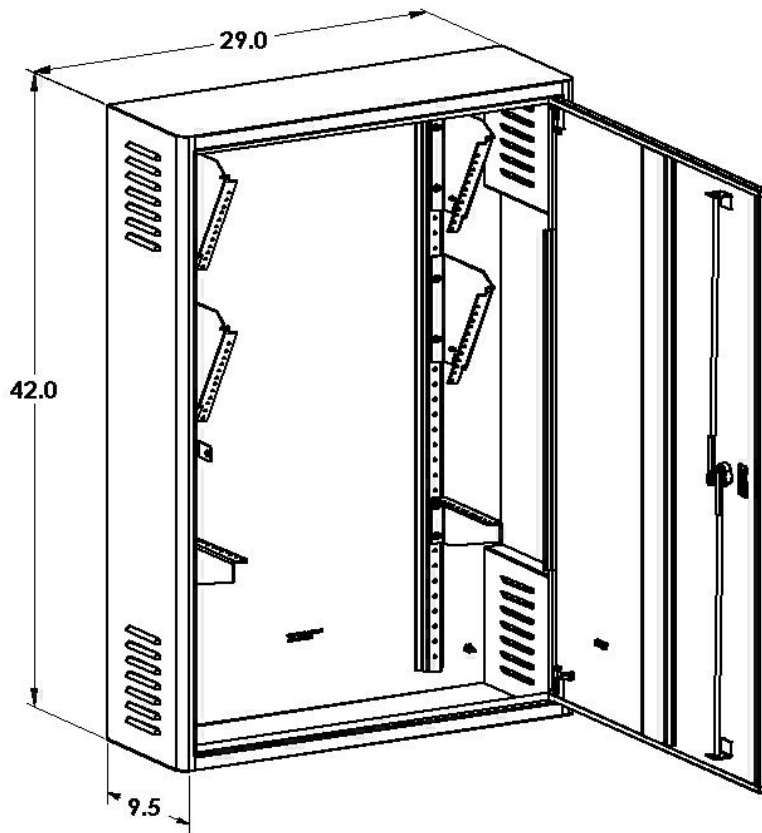



Product Code SEC-WM-04U-H1	Nominal Dimensions 42" x 29" x 9.5"	
Description The lockable "04U" enclosure mounts on a wall and serves as a mini-telecommunications room. It includes two (2) patch panel brackets and one (1) equipment bracket that can accommodate up to 4U of active electronics. The 04U can be used for termination and distribution/routing of high-security communications systems in a classified environment and is an excellent substitute for traditional 19" racks. It is designed to house telecom equipment and prevent unauthorized access.		
Specifications <ul style="list-style-type: none"> • Height 42" x Width 29" x Depth 9.5" • 16-gauge electro-galvanized steel with welded seams • Weight: 94 lbs • Single door with 3-point locking system and padlock hasp for the Sargent and Greenleaf® padlock • Tamper-resistant design with welded internal hinges • Protected venting louvers • Fan kit accessory sold separately (AGW-FANKITR) Secure Enclosure includes: <ul style="list-style-type: none"> • Two (2) – 4U patch panel brackets • One (1) – 4U equipment bracket Powder Coat Finish: White Textured		

	HOLOCOM, INC. customerservice@holocom.com www.holocom.com	PRODUCT CODE: SEC-WM-04U-H1	TITLE: SECURE WALL MOUNT ENCLOSURE—4U DEPTH
All material contained in this document is the property of Holocom, Inc. and may not be reproduced or transmitted (including electronically) without the written consent of Holocom, Inc. Holocom and the Holocom logo are registered trademarks of Holocom, Inc. Other noted marks are trademarks of their respective companies. Holocom products protected by US Pats. 7,183,488; 7,115,814; 7,053,303; 7,049,517; 6,838,616; 5,831,211 and Pats. pending. Made in the U.S.A. Copyright © 2008 Holocom, Inc. All rights reserved.			