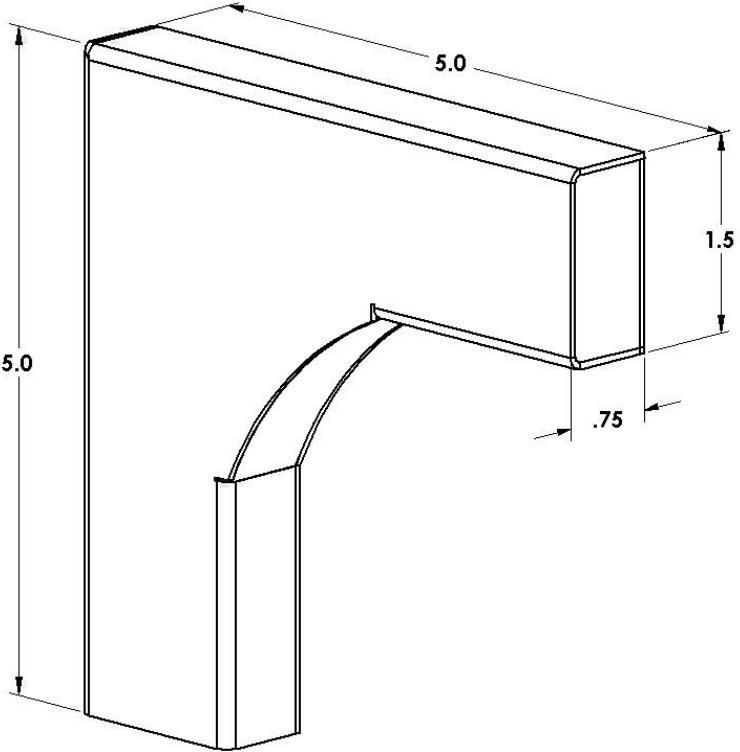



Product Code SMD-CT-090	Nominal Dimensions 5" x 5" x .75"	
Description The Secure Mini Dukt™ 90° Connector allows Secure Mini Dukt™ Tube to perform a right-angle turn while traveling on a flat surface. The 90° Connector features a 3" bend radius allowing smooth movement of cabling across the bend. Installation requires two Secure Mini Dukt™ Mounting Brackets (SMD-WM-MB) to transition between two sections of Tube.		
Specifications <ul style="list-style-type: none"> • 18-gauge electro-galvanized steel • Length 5" x Width 5" x Depth .75" • Weight .5 lbs Powder Coat Finish: White Textured		

	HOLOCOM, INC. customerservice@holocom.com www.holocom.com	PRODUCT CODE: SMD-CT-090	TITLE: SECURE MINI DUKT™: 90° CONNECTOR
All material contained in this document is the property of Holocom, Inc. and may not be reproduced or transmitted (including electronically) without the written consent of Holocom, Inc. Holocom and the Holocom logo are registered trademarks of Holocom, Inc. Other noted marks are trademarks of their respective companies. Holocom products protected by US Pats. 7,183,488; 7,115,814; 7,053,303; 7,049,517; 6,838,616; 5,831,211 and patents pending. Made in the U.S.A. Copyright © 2009 Holocom, Inc. All rights reserved.			