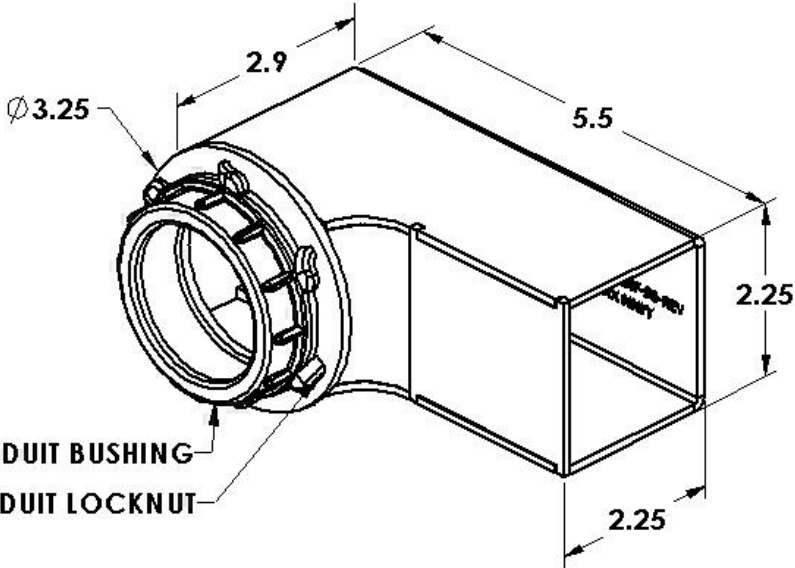



Product Code SDS-CT-INF-90	Nominal Dimensions 5.5" x 3" x 2.5"	
Description The 90° Enclosure Interface Sleeve provides a seamless 90° transition from enclosures or Through-Wall Kits to the Secure Raceway. Holocom improved upon its original INF-90 by redesigning the flange shape from square to round. The round flange completely covers the penetration hole and eliminates the need to align an additional part previously used for ensuring aesthetics. By changing the design of this one component, installation requires fewer parts thereby improving installation efficiency.		
Specifications <ul style="list-style-type: none"> • Length 5.5" x Width 2.9" x Depth 2.25" • Round flange, Diameter 3.25" x Thickness .125" • Electro-galvanized steel • 2" NPT external threads • Includes 2" Conduit Locknut and 2" Conduit Bushing • Total Weight: 3 lbs <p>Powder Coat Finish: White Textured</p>		

	HOLOCOM, INC. customerservice@holocom.com www.holocom.com	PRODUCT CODE: SDS-CT-INF-90	TITLE: 90° ENCLOSURE INTERFACE SLEEVE
All material contained in this document is the property of Holocom, Inc. and may not be reproduced or transmitted (including electronically) without the written consent of Holocom, Inc. Holocom and the Holocom logo are registered trademarks of Holocom, Inc. Other noted marks are trademarks of their respective companies. Holocom products protected by US Pats. 7,183,488; 7,115,814; 7,053,303; 7,049,517; 6,838,616; 5,831,211 and Pats. pending. Made in the U.S.A. Copyright © 2008 Holocom, Inc. All rights reserved.			