

<b>Product Code</b> <b>SDS-CT-OFF-04</b>	<b>Nominal Dimensions</b> 11" x 6" x 2"
---	--

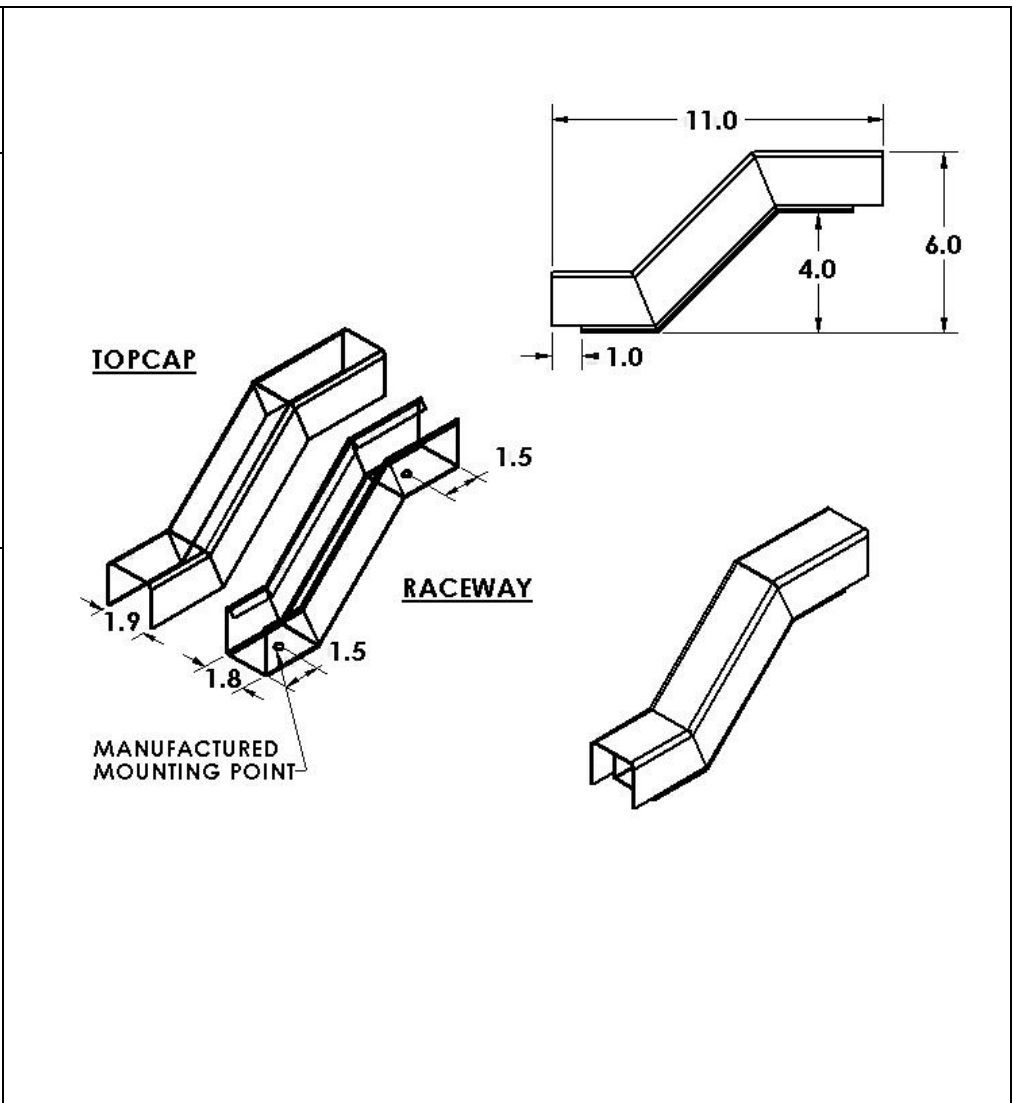
**Description**

The Offset Connector 4 Inch greatly simplifies and expedites installation of Secure Raceway around a column with a 4" depth. Offset Connectors reduce the number of parts previously required to mount the raceway around a column, providing a cleaner appearance and reducing material and labor costs. Like a straight section of Secure Raceway, Offset Connectors consist of two components – the Raceway and TopCap. Two manufactured mounting points at each end simplify attachment to the wall. The Offset Connector 4 Inch is conveniently packaged in sets of two connectors (Product Code: SDS-CT-COL-01). Refer to the SDS-CT-COL-01 data sheet for installation guidelines.

**Specifications**

- 16-gauge electro-galvanized steel
- Components:
  - High Security Raceway: Length 11" x Width 6" x Height 1.8"
  - High Security TopCap: Length 11" x Width 6" x Height 1.9"
- Total Weight: 2.30 lbs
- Two (2) manufactured mounting points in each Raceway section
  - 1.5" from each end
  - Located along center line

Powder Coat Finish: White Textured



HOLOCOM, INC.  
[customerservice@holocom.com](mailto:customerservice@holocom.com)  
[www.holocom.com](http://www.holocom.com)

PRODUCT CODE:  
**SDS-CT-OFF-04**

TITLE:  
 OFFSET CONNECTOR 4 INCH

All material contained in this document is the property of Holocom, Inc. and may not be reproduced or transmitted (including electronically) without the written consent of Holocom, Inc. Holocom and the Holocom logo are registered trademarks of Holocom, Inc. Other noted marks are trademarks of their respective companies. Holocom products protected by US Pats. 7,183,488; 7,115,814; 7,053,303; 7,049,517; 6,838,616; 5,831,211 and Pats. pending. Made in the U.S.A. Copyright © 2008 Holocom, Inc. All rights reserved.