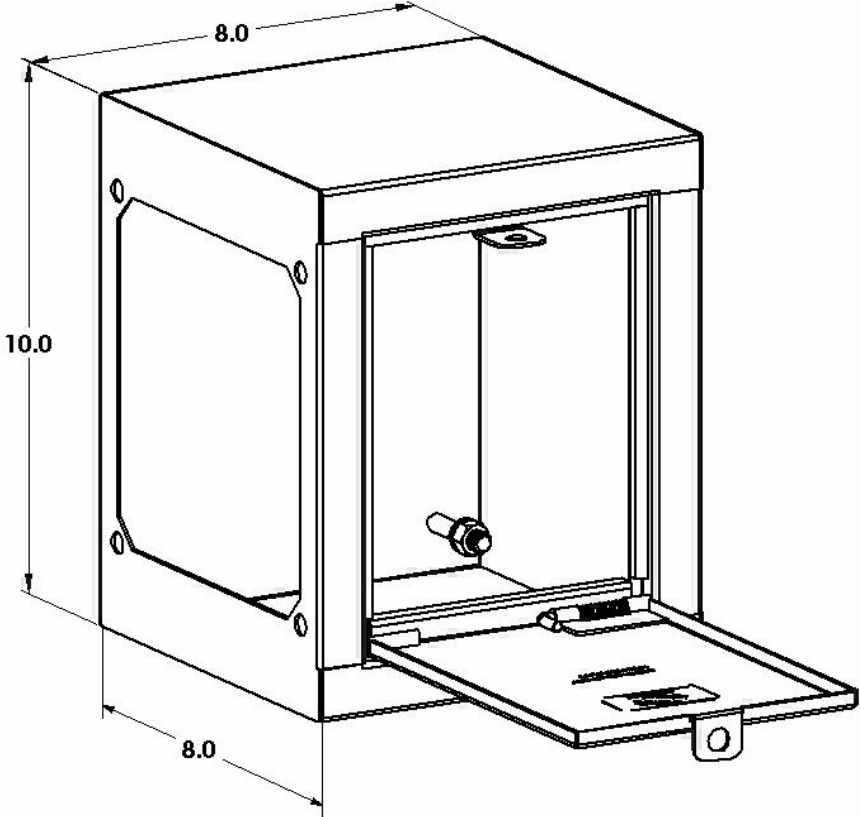



Product Code SAP-IM-SE1-H1	Nominal Dimensions 10" x 8" x 8"	
Description Holocom custom-designed the secure IPS Junction Box to join the Holocom PDS to the Hamilton Safe® COMSEC Information Processing System (IPS) container. Four manufactured mounting points and a cutout align with corresponding points on the Hamilton IPS. The door locks securely with a Sargent & Greenleaf® padlock.		
Specifications <ul style="list-style-type: none"> • Height 10" x Width 8" x Depth 8" • 16-gauge electro-galvanized steel • Weight: 7.5 lbs • Removable drop-down door with back flange • Four (4) manufactured mounting points and cutout matches to Hamilton IPS • Welded door hasp for Sargent & Greenleaf® padlock <p>Powder Coat Finish: White Textured</p>		

	Holocom, Inc. 2386 Faraday Avenue, Suite 200 Carlsbad, CA 92008 Tel: (760) 804-9545 Fax: (760) 804-9149 www.holocom.com	PRODUCT CODE: SAP-IM-SE1-H1	TITLE: IPS JUNCTION BOX
All material contained in this document is the property of Holocom, Inc. and may not be reproduced or transmitted (including electronically) without the written consent of Holocom, Inc. Holocom and the Holocom logo are registered trademarks of Holocom, Inc. Other noted marks are trademarks of their respective companies. Holocom products protected by US Pats. 7,183,488; 7,115,814; 7,053,303; 7,049,517; 6,838,616; 5,831,211 and Pats. pending. Made in the U.S.A. Copyright © 2008 Holocom, Inc. All rights reserved.			