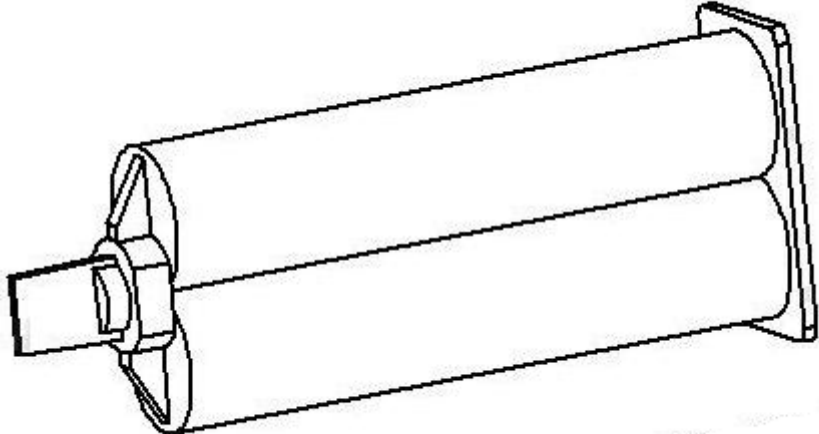



Product Code SDS-332781	Nominal Dimensions N/A	
Description <p>Epoxy solution consisting of 3M™ translucent 2-part Epoxy. Product dries to an opaque yellow color when applied to Holocom raceway.</p> <p><i>NOTE: Recommended for use with Holocom Raceway. If sealing an EMT pathway, use 3M™ Black 2-part Epoxy (SDS-1002448) instead.</i></p>		
Specifications <ul style="list-style-type: none"> • 3M™ DP100NS Translucent 2-part Epoxy. • Dispensed using a 3M™ EPX applicator (SDS-GN-EXY) and 3M EPX nozzle (SDS-332784), sold separately in desired quantity. 		

	HOLOCOM, INC. customerservice@holocom.com www.holocom.com	PRODUCT CODE: SDS-332781	TITLE: SECURE RACEWAY 3M™ EPOXY
		All material contained in this document is the property of Holocom, Inc. and may not be reproduced or transmitted (including electronically) without the written consent of Holocom, Inc. Holocom and the Holocom logo are registered trademarks of Holocom, Inc. Other noted marks are trademarks of their respective companies. Holocom products protected by US Pats. D619,097; D632,763; D580,871; 7,608,780; 7,661,375; 7,183,488; 7,115,814; 7,053,303; 7,049,517; 6,838,616; 5,831,211 and pats pending. Made in the U.S.A. Copyright © 2009-2013 Holocom, Inc. All rights reserved.	