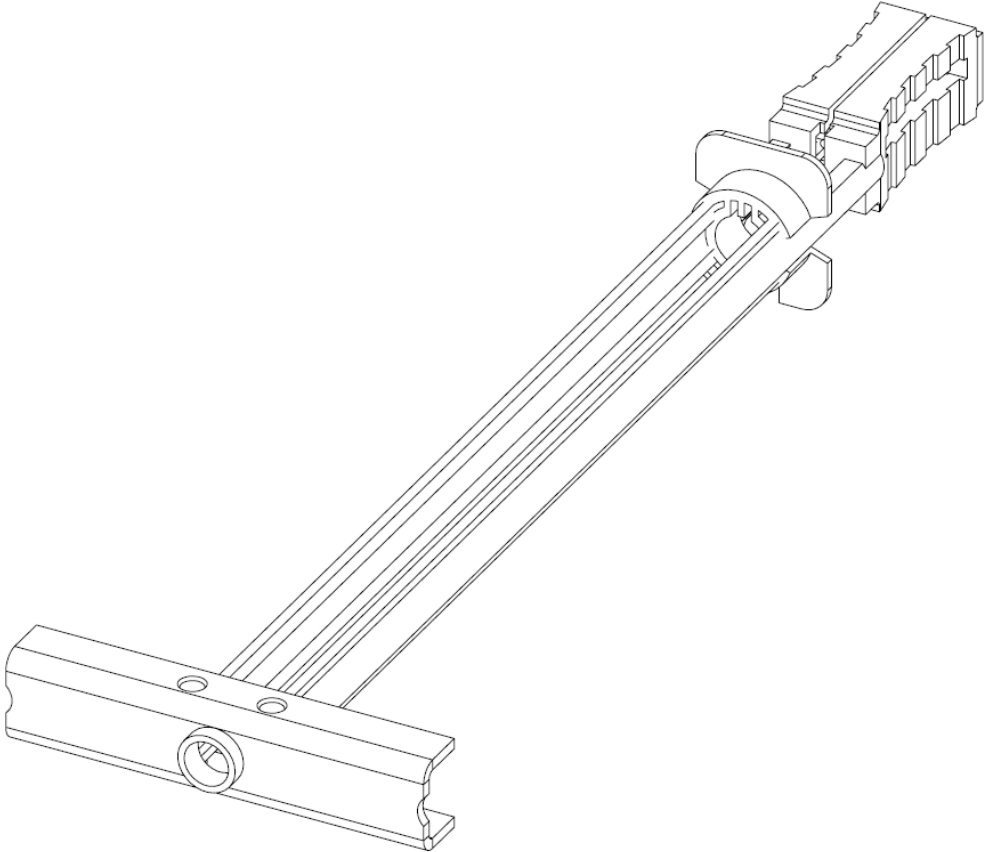



<b>Product Code</b>  <b>SDS-HW-TGL</b>	<b>Nominal Dimensions</b>  N/A	
<b>Description</b>  The Toggle Bolts included in the Gypsum Hardware Kit, or this stand-alone bulk pack, provide specialized mounting points for installing Holocom Raceways, connectors, and enclosures. They were initially used for speed and ease of use for the system, and continue to remain in this capacity. These toggles work in conjunction with the other components in the Gypsum Hardware Kit (SDS-HW-GYP-02) and Raceway Attachment Kit (SDS-RW-AKT-03). SDS-HW-TGL anchors provide mounting points for hollow walls such as gypsum board, drywall, and composite panels. These are sold in bulk quantity to allow excess screws from the GYP-02 hardware kit to be utilized on large projects.		
<b>Specifications</b> <ul style="list-style-type: none"> <li>• One hundred (100) 1/4"-20 Toggle Bolts</li> <li>• Total weight: 3.5 lbs</li> </ul>		

	Holocom, Inc. <a href="http://www.holocom.com">www.holocom.com</a> <a href="mailto:customerservice@holocom.com">customerservice@holocom.com</a>	<b>PRODUCT CODE:</b> <b>SDS-HW-TGL</b>	<b>TITLE:</b> <b>TOGGLE BOLTS FOR GYPSUM  HARDWARE KIT</b>
All material contained in this document is the property of Holocom, Inc. and may not be reproduced or transmitted (including electronically) without the written consent of Holocom, Inc. Holocom and the Holocom logo are registered trademarks of Holocom, Inc. Other noted marks are trademarks of their respective companies. Holocom products protected by US Pats. 8,733,798; 7,661,375; 7,608,780; 7,183,488; 7,115,814; 7,053,303; 7,049,517; 6,838,616; 5,831,211; 632,763; 619,097; 580,871 and patents pending. Made in the U.S.A. Copyright © 2015 Holocom, Inc. All rights reserved.			