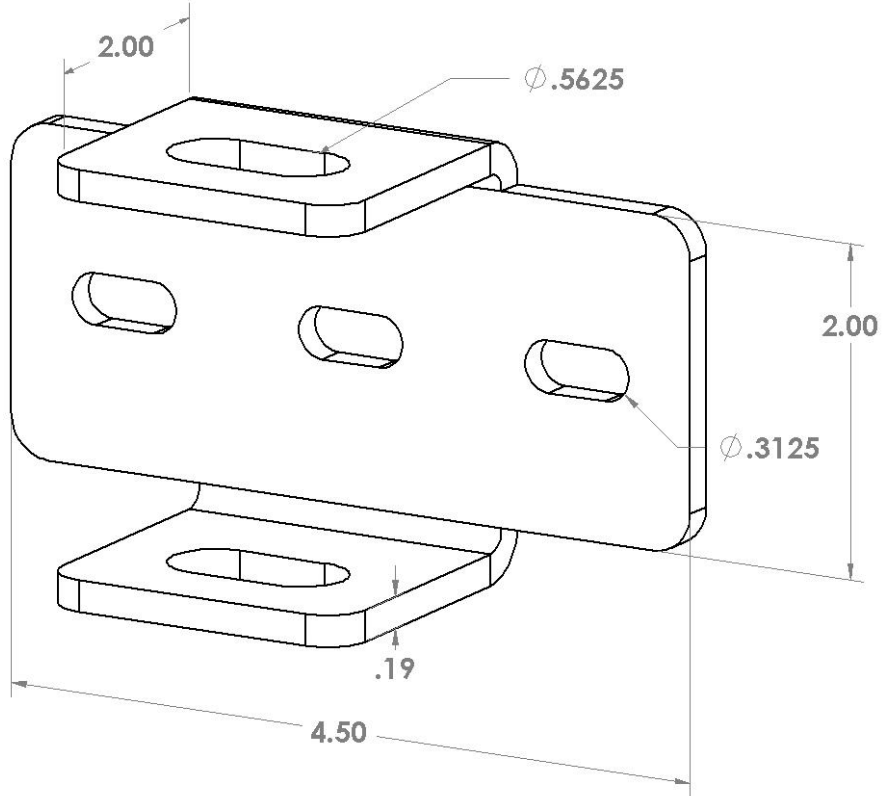



Product Code SDS-TR-BRKT-1	Nominal Dimensions N/A	
Description The Threaded Rod SDS Bracket allows for the installation of Holocom 2" x 2" SDS raceway by providing a solid raceway and threaded rod mounting surface, used in conjunction with threaded rod to the true ceiling. This bracket may be used mid-span of the raceway as well as at a raceway end joint. Likewise, the bracket may be affixed to strut suspended by threaded rod to true ceiling or other ceiling support structures.		
Specifications <ul style="list-style-type: none"> • 7-gauge electro-galvanized steel • Weight 0.1 lbs • Hardware and threaded rod not included • ¼" Carriage bolts are required to mount raceway to bracket • Up to ½" threaded rod, nuts, and washers may be used. Powder Coat Finish: White Texture Powder Coat		

	Holocom, Inc. www.holocom.com	PRODUCT CODE: SDS-TR-BRKT-1	TITLE: Threaded Rod SDS Bracket
All material contained in this document is the property of Holocom, Inc. and may not be reproduced or transmitted (including electronically) without the written consent of Holocom, Inc. Holocom and the Holocom logo are registered trademarks of Holocom, Inc. Other noted marks are trademarks of their respective companies. Holocom products protected by US Pats. 8,733,798; 7,661,375; 7,608,780; 7,183,488; 7,115,814; 7,053,303; 7,049,517; 6,838,616; 5,831,211; 632,763; 619,097; 580,871 and patents pending. Made in the U.S.A. Copyright © 2015 Holocom, Inc. All rights reserved.			